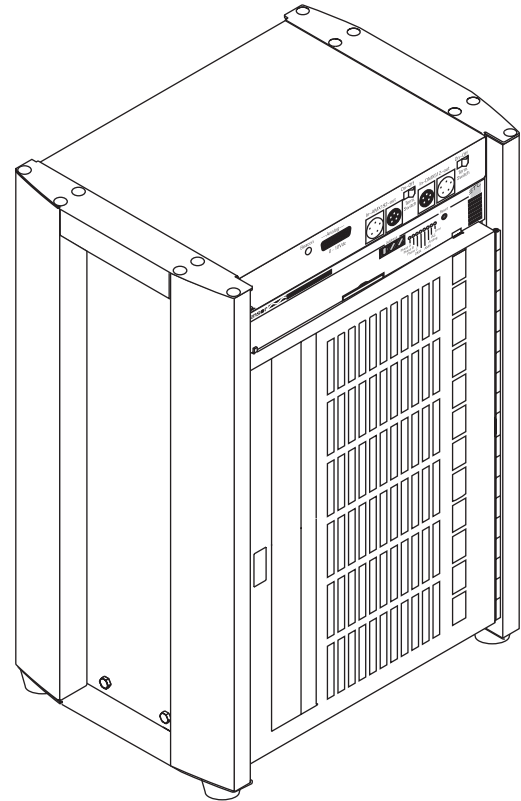
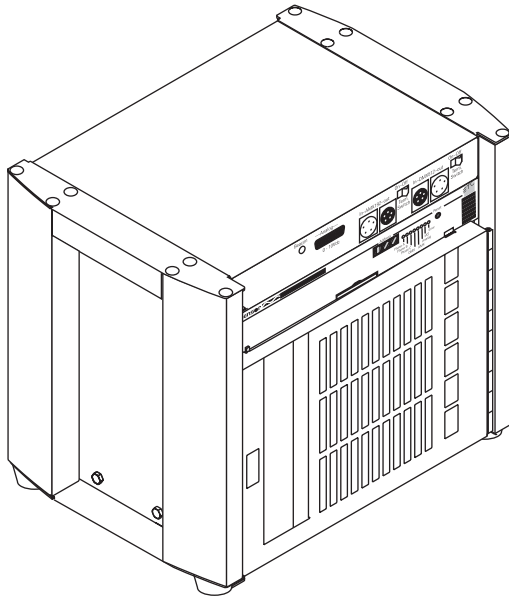


Standard Series



**GENERAL INFORMATION**

**Digital dimming for modest mobile applications**

**APPLICATIONS** Black-box or seasonal theater  
 Solo/small-ensemble music tours  
 Solo dance or speaking tours  
 Remote event/convention presentations

**FEATURES** High dimmer density  
 Up to two 2.4kW dimmers per slot  
 6 and 12 module slot Packs available  
 Rugged industrial construction  
 Camlock™ input power terminal  
 Flexible load connection options  
 Twist-Lock®  
 Stage pin  
 VSC (multi-pin)  
 Edison

Adaptable modular design

Multi Protocol Electronics (MPE)

DMX 512 inputs  
 Supports ETC Dimmer Doubling™

Available as option

AMX192  
 Analog 0-10V

All packs UL and cUL listed

**ACCESSORIES** Castered cart  
 Dimmer Doublers

**ORDERING INFORMATION**

**Dimmer Modules**

Model#	Description
D15	Dual 15A Dimmer Module - 500uS
D20	Dual 20A Dimmer Module - 500uS
D50	Single 50A Dimmer Module - 500uS
D100*	Half 100A Dimmer Module - 500uS
D20DHR	Dual 20A Dimmer Module - 800uS
D50HR*	Half 50A Dimmer Module - 800uS

**Special Purpose Sensor Modules**

R15	Dual 15A Relay Module
R20	Dual 20A Relay Module
CC15	Dual 15A Constant Circuit Breaker Module
CC20	Dual 20A Constant Circuit Breaker Module
CC50	Single 50A Constant Circuit Breaker Module
CC100*	Half 100A Constant Circuit Breaker Module
AFM	Air Flow Module

\* Half-density modules use two dimmer slots

**Portable Pack Accessories**

Model#	Description
SPCC	Portable Pack Caster Cart
DD	Dimmer Doubler without input connector
DD-A	Dimmer Doubler with Edison input connector
DD-B	Dimmer Doubler with Stage Pin input connector
DD-C	Dimmer Doubler with Twist-Lock® input connector



## SPECIFICATIONS

<b>GENERAL</b>	<p>UL and cUL listed</p> <p><b>Six slot Pack:</b></p> <ul style="list-style-type: none"> <li>12 1.8 or 2.4kW dimmers</li> <li>Six 6kW dimmers</li> <li>Three 12kW dimmers</li> </ul> <p><b>Twelve slot Pack:</b></p> <ul style="list-style-type: none"> <li>24 1.8 or 2.4kW dimmers</li> <li>12 6kW dimmers</li> <li>Six 12kW dimmers</li> </ul> <p><b>Ambient temperature: 0-40°C / 32-104°F</b></p> <p>Dimmer room HVAC systems must at all times maintain the specified ambient temperature <b>at the dimmer rack</b>. Dimming systems operating within 10°F of the upper or lower temperature limits must strictly follow installation and operation guidelines to operate reliably.</p>
<b>MECHANICAL</b>	<p>16-gauge steel construction</p> <p>Fine-textured, scratch-resistant, gray and black epoxy paint</p> <p>Recessed control, power and load connectors</p> <p>No tools required for module removal or installation</p> <p>High efficiency cooling system with airflow sensor</p> <p>Easily cleaned electrostatic air filter</p> <p>Low-noise fan for quiet operation</p> <p>High visibility LED status beacon</p>
<b>ELECTRICAL</b>	<p>Easily switches from single-phase 120/240 VAC to three-phase 120/208 VAC operation</p> <p>Power frequencies from 47-62Hz</p> <p>Camlock power input connectors</p> <p>Choice of Stage pin, Edison or Twist-Lock® output connectors</p> <p>10k AIC rating</p>
<b>ELECTRONIC</b>	<p>Dimmer outputs are regulated to maintain constant power to loads</p> <p>4000V of optical isolation between control input and output</p> <p>Update rate is 40Hz; response to control is less than 25 milliseconds</p>
<b>CONTROL ELECTRONICS</b>	<p>24 hour factory "burn in" test for all control modules</p> <p>MPE-Sensor Multiprotocol Electronics module (Standard Pack)</p> <p>Enables single DMX512</p>
<b>CONTROL INPUT</b>	<p>Analog or AMX192 control input available</p> <p>Supports Dimmer Doubling™</p>
<b>OPTIONS</b>	<p>Castered cart</p> <p>Custom output panels (call ETC for details)</p> <p>Camlock line pass-through connectors</p>

## PHYSICAL

### Portable Pack Dimensions

Model	Height		Width		Depth	
	inches	cm	inches	cm	inches	cm
SP6	15.0	38.0	17.5	44.0	12.6	32.0
SP12	24.3	61.0	17.5	44.0	12.6	32.0

### Portable Pack Weights

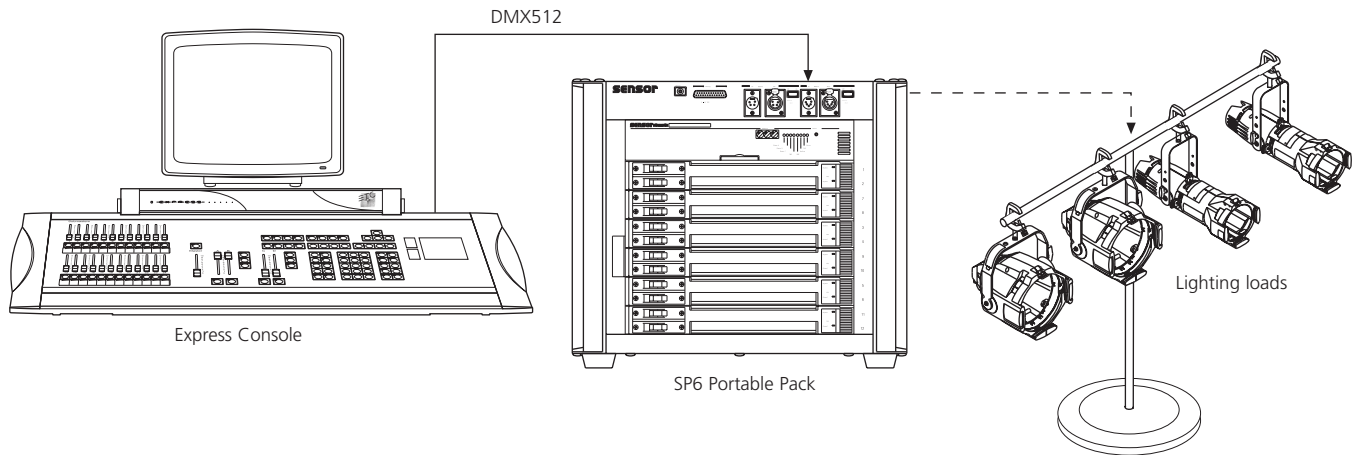
Model	Weight		Shipping Weight	
	lbs	kgs	lbs	kgs
SP6	70-90*	32-41	75-95	34-43
SP12	110-130*	50-59	115-135	53-62

\* Actual weight depends on type of dimmer modules

# Sensor® Portable Packs

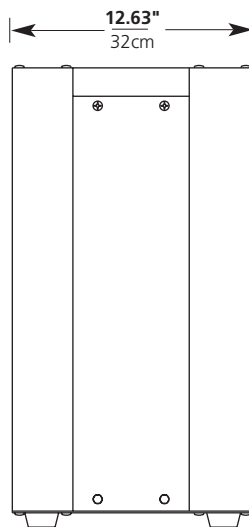
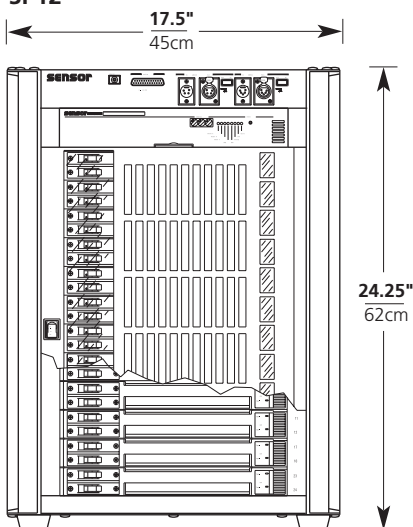
## Standard Series

### TYPICAL SYSTEM RISER DIAGRAM

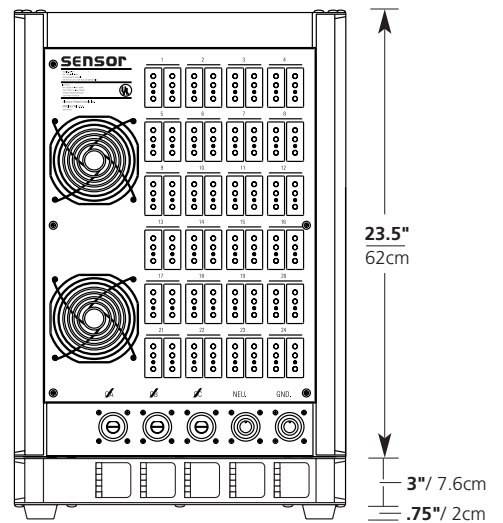


### RACK DIMENSIONS

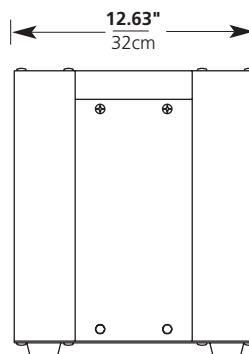
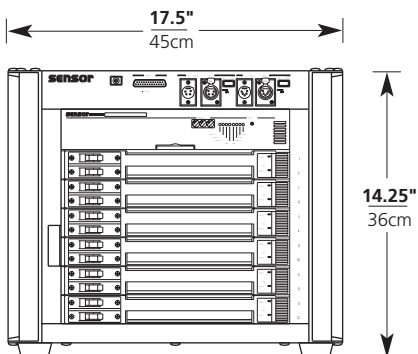
**SP12**



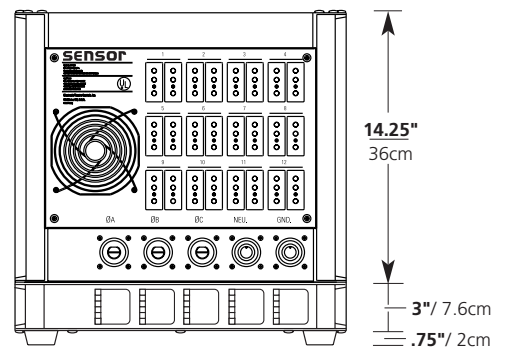
**SP12 with Camlock pass-through**



**SP6**



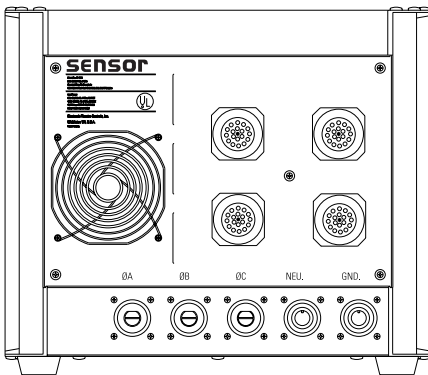
**SP6 with Camlock pass-through**



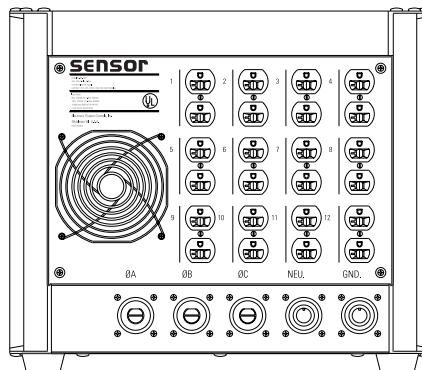
# Sensor® Portable Packs

## Standard Series

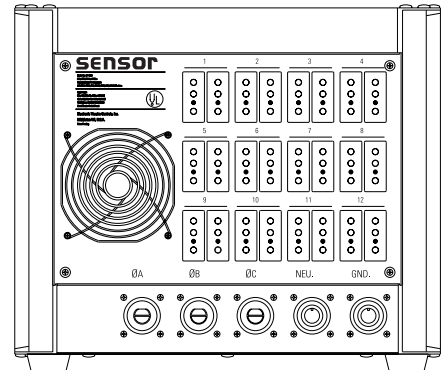
15A/20A VSC (Socapex) outputs



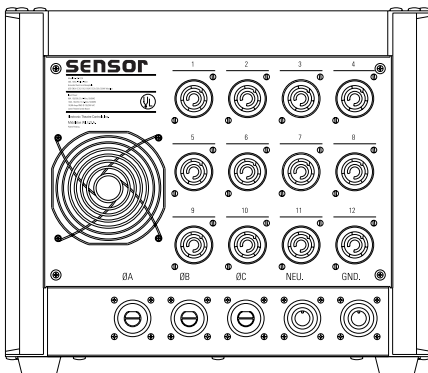
15A/20A Edison outputs



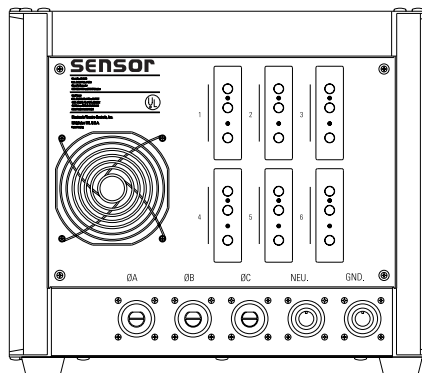
15A/20A Stage pin outputs



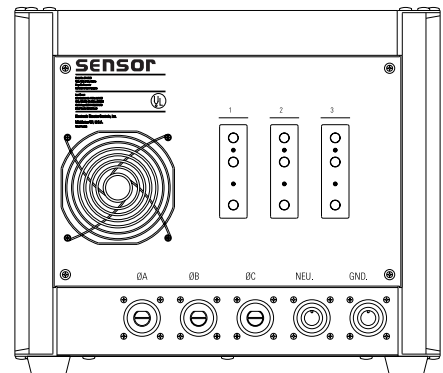
15A/20A grounded Twist-Lock® outputs



50A Stage pin outputs



100A Stage pin outputs



Six-slot packs shown. All output connectors are available for 6 and 12 slot packs

### Sensor MPE Portable Pack Model Numbers

Model	Number of Dimmers	Dimmer Amperage	Load Connector	VSC Option	Camlock Outputs
	(3, 6, 12, or 24)	(15) = 1.8kW (20) = 2.4kW (50) = 6.0kW* (100) = 12.0kW*	(A) Edison (B) Stage Pin (C) Twist-Lock®	(V) Add VSC multipin outputs (blank) None	(P) Camlock line Power Pass Through (blank) None
SP					

\*50 and 100 amp available for stage pin connectors only



**Americas** ■ 3030 Laura Lane, P.O. Box 620979, Middleton, WI 53562-0979 USA ■ Tel: +608 831 4116 ■ Fax: +608 836 1736 ■ Toll free: 800 688 4116 ■ Toll free fax: 800 555 8912  
**Europe** ■ 5 Victoria Industrial Estate, Victoria Road, London W3 6JU, UK ■ Tel: +44 (0)20 8896 1000 ■ Fax: +44 (0)20 8896 2000  
**Asia** ■ Room 605-606, Tower III Enterprise Square, 9 Sheung Yuet Road, Kowloon Bay, Kowloon, Hong Kong ■ Tel: +852 2799 1220 ■ Fax: +852 2799 9325  
**Web:** www.etcconnect.com ■ **Email:** (US) mail@etcconnect.com ■ (UK) mail@etc europe.com ■ (Asia) mail@etcasia.com

Sensor® products protected by U.S. Patent Numbers 5,323,088, 5,352,958 and 6,002,563; European Number 060333312; German Number 69203609; US and International Patents Pending.  
 Copyright © 2001 ETC, Inc. All Rights Reserved. All product information and specifications subject to change. 7052L1007 Rev. B Printed in USA 11/01