

# ETC® Installation Guide



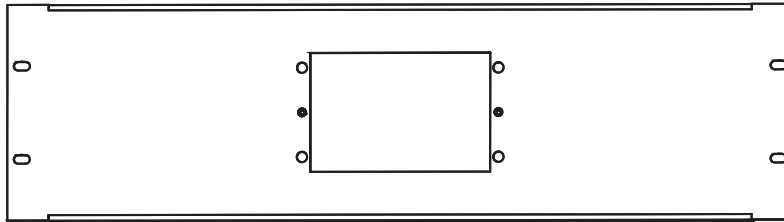
## Mosaic Tessera® Rack Mount Kit

### Overview

This installation guide illustrates the Tessera Rack Mount Kit (M-TPC 7180A1392) installation procedure.

### Rack Mount Kit Features

The Mosaic Tessera Rack Mount kit installs into a standard 19" rack and requires 3U of rack space.



#### **The Rack Mount Kit includes the following parts:**

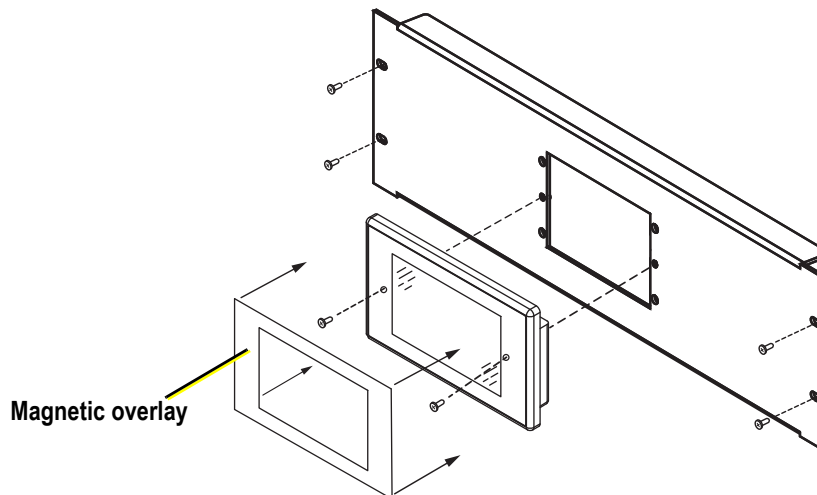
- Rack mount panel
- Four each 10/32 x 1/2" Phillips head screws and #10 flat washers
- Cat5 Ethernet termination kit (4101A2003 for building wire termination)
- 2 foot Cat5e UTP patch cable



**Note:** A #2 Phillips (cross-head) screwdriver is required, but not provided, for installation.

### Installing the Rack Mount Kit

- Step 1: Remove the magnetic overlay from the Tessera Controller
- Step 2: Mount the Tessera Controller onto the panel using the two included screws.
- Step 3: Replace the overlay.



Corporate Headquarters ■ 3031 Pleasant View Road, P.O. Box 620979, Middleton, Wisconsin 53562-0979 USA ■ Tel +608 831 4116 ■ Fax +608 836 1736  
London, UK ■ Unit 26-28, Victoria Industrial Estate, Victoria Road, London W3 6UU, UK ■ Tel +44 (0)20 8896 1000 ■ Fax +44 (0)20 8896 2000  
Rome, IT ■ Via Pieve Torina, 48, 00156 Rome, Italy ■ Tel +39 (06) 32 111 683 ■ Fax +44 (0) 20 8752 8486  
Holzkirchen, DE ■ Ohmstrasse 3, 83607 Holzkirchen, Germany ■ Tel +49 (80 24) 47 00-0 ■ Fax +49 (80 24) 47 00-3 00  
Hong Kong ■ Rm 1801, 18/F, Tower 1 Phase 1, Enterprise Square, 9 Sheung Yuet Road, Kowloon Bay, Kowloon, Hong Kong ■ Tel +852 2799 1220 ■ Fax +852 2799 9325  
Service: (Americas) [service@etconnect.com](mailto:service@etconnect.com) ■ (UK) [service@etceurope.com](mailto:service@etceurope.com) ■ (DE) [techserv-hoki@etconnect.com](mailto:techserv-hoki@etconnect.com) ■ (Asia) [service@etcasia.com](mailto:service@etcasia.com)  
Web: [www.etconnect.com](http://www.etconnect.com) ■ Copyright © 2012 ETC. All Rights Reserved. ■ Product information and specifications subject to change.  
© 7180M2160 ■ Rev A ■ Released 2012-12 ■ ETC intends this document to be provided in its entirety.

# ETC Installation Guide

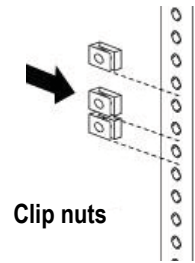
## Mosaic Tessera Rack Mount Kit

---

Step 4: Mount the panel into the 19" equipment rack.

- a: If your equipment rack has threaded holes, use the four provided screws to mount the panel to the rack rails.
- b: If your rack does **not** have threaded holes, use the provided clip nuts in the four screw hole locations; top and bottom of each side of the rack rails.

Step 5: Connect the Cat5e cable to the Tessera Controller as shown in the graphic on the previous page.



**Note:**

*If connecting to building wiring, follow the instructions provided with the Cat5 termination kit. A Cat5e cable has been provided for connection between the termination kit and Tessera Controller.*

---