

# ETC Setup Guide

## Cat5 Cable Preparation for IDC Termination

### Overview

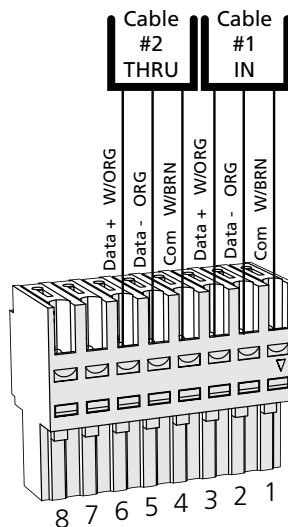
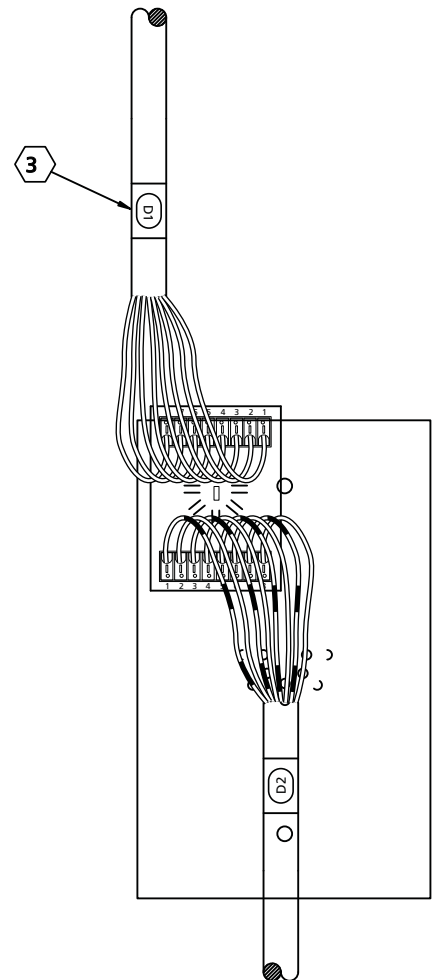
This document describes how to prepare Category 5 (or equivalent—such as 5e or 6) cable to be terminated into an IDC (insulation-displacement connector) style connector for use with DMX or EchoConnect wiring.

**Note:** *Belden 1583A or equivalent Cat5, Cat5e, or Cat6 UTP wire is acceptable when properly shielded or installed in grounded metal conduit.*

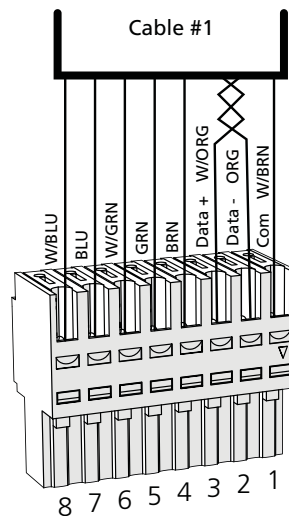
### Cat5 Cable Preparation

- 1: Cut cable (if necessary) so that an 8" (20 cm) tail extends from the edge of the box.
- 2: Follow normal Category 5 installation procedures to remove about 2" (50 mm) from the end of the cable jacket.
- 3: Label the cable with the data type and run designation (D1, E1, etc.).
- 4: Maintain the wire pair twist as close to the connector as possible and terminate the wires as required.
- 5: When used as an In and Thru connection, cut the unused conductors from the cable flush to the cable jacket.

**Note:** *When used for EchoConnect station wiring, one Cat5 Station Termination kit is required for each station. Order part number 7186A1207. An EchoConnect Cat5 Termination Box is required when using Cat 5 wiring with the Echo Station Power Supply. Order part number 7186A1205 or 7186A1206.*



For devices with single In and Thru connector (e.g. Unison Foundry)



For devices with separate In and Thru connectors



Corporate Headquarters ■ Middleton, WI, USA ■ Tel +608 831 4116 ■ Service: (Americas) [service@etcconnect.com](mailto:service@etcconnect.com)

London, UK ■ Tel +44 (0)20 8896 1000 ■ Service: (UK) [service@etcconnect.com](mailto:service@etcconnect.com)

Rome, IT ■ Tel +39 (06) 32 111 683 ■ Service: (UK) [service@etcconnect.com](mailto:service@etcconnect.com)

Holzkirchen, DE ■ Tel +49 (80 24) 47 00-0 ■ Service: (DE) [techserv-hoki@etcconnect.com](mailto:techserv-hoki@etcconnect.com)

Hong Kong ■ Tel +852 2799 1220 ■ Service: (Asia) [service@etcconnect.com](mailto:service@etcconnect.com)

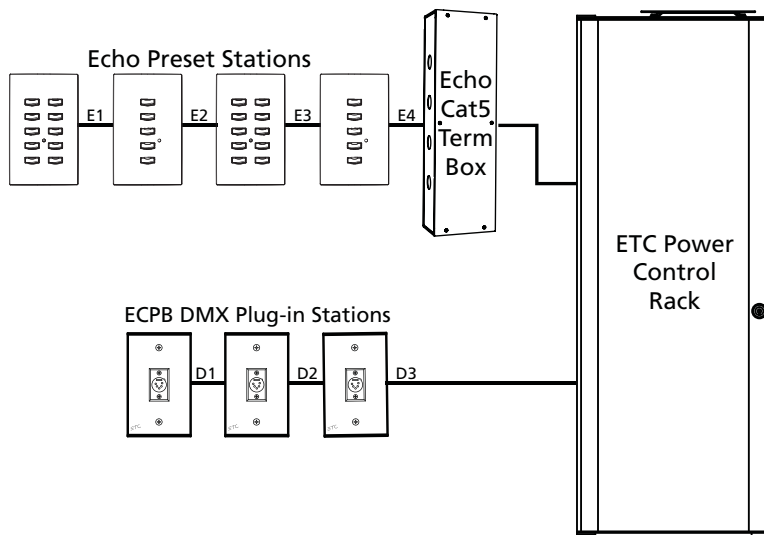
Web: [etcconnect.com](http://etcconnect.com) ■ © 2017 Electronic Theatre Controls, Inc.

Product information and specifications subject to change. ETC intends this document to be provided in its entirety.

4100M2202 ■ Rev G ■ Released 2017-12

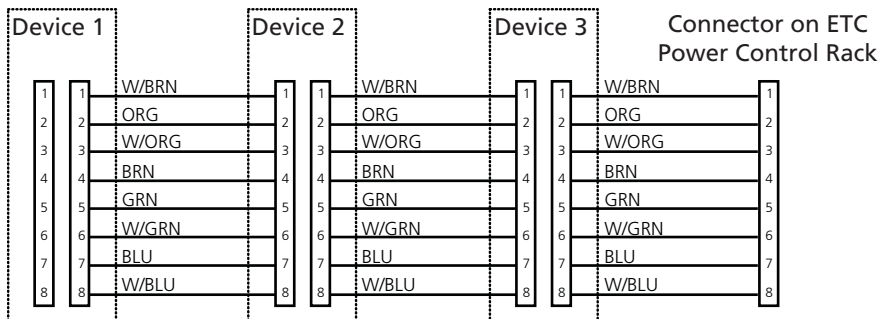
# ETC Setup Guide

## IDC Termination



**Note:** Each run of Cat5 cable must be pulled from station to station without being cut or spliced.

### DMX Wiring with Separate In and Thru



### DMX Wiring with Single In and Thru

