

Paradigm Control Series



Type(s)  
Project  
Date  
Notes

GENERAL INFORMATION

Sophisticated and stylish - with the control you need. These LinkConnect-powered stations are designed to initiate preset, zone, and space controls for your entire lighting system. They communicate efficiently with a single space or the rest of the Paradigm family of lighting controls to provide necessary control for any installation. Paradigm Inspire are an elegant way to add control to any facility.

APPLICATIONS

- Education
- Hospitality
- Healthcare facilities
- Office buildings
- Conference rooms
- Meeting rooms
- Retail

FEATURES

- LinkConnect: two-wire topology-free system gives you the freedom to easily place stations wherever they are needed
- Fastener-Free Faceplate System: no visible means of attachment
- Decorator style face plates available in one-, two-, three- and four-gang options
- Color control: the four button with fader station provides live feedback and control for:
  - Variable Color: Intensity, Saturation and Hue
  - Variable White: Intensity, Tint and Color Temperature
- Color condition: rear-illuminated indicators that reflect system status using RGB LEDs. Allowing for customized control indication on a per-button basis
- Laser engraved legend system with custom button labeling available

GENERAL

- UL and cUL Listed
- CE marked

ORDERING INFORMATION

Paradigm Inspire Stations

MODEL	DESCRIPTION
PI1001-__	Inspire 1-Button Control Station
PI1002-__	Inspire 2-Button Control Station
PI1004-__	Inspire 4-Button Control Station
PI1006-__	Inspire 6-Button Control Station
PI1008-__	Inspire 8-Button Control Station
PI1104-__	Inspire 4-Button with Fader Control Station

Enter station color code in \_\_ space provided:

1 = Cream (RAL 9001), 3= Grey (RAL 7001), 4 = Black (RAL 9004), 5 = Signal White (RAL 9003)

Stations flush-mount (F) in industry-standard gang boxes (by others). Surface-mount back boxes available from ETC upon request.

Additional Faceplates

MODEL	DESCRIPTION
1IFP-__	Inspire 1-gang faceplate
2IFP-__	Inspire 2-gang faceplate
3IFP-__	Inspire 3-gang faceplate
4IFP-__	Inspire 4-gang faceplate

Enter station color code in \_\_ space provided:

1 = Cream (RAL 9001), 3= Grey (RAL 7001), 4 = Black (RAL 9004), 5 = Signal White (RAL 9003)

Stations do not ship with faceplates. Please specify the faceplate needed when ordering stations.

Compatible Control Systems

MODEL	DESCRIPTION
P-ACP	Paradigm Architectural Control Processor

Note: A Paradigm Station Power Module (P-SPM) is required



**SPECIFICATIONS**

**FUNCTIONAL**

- Zone or preset control from any station
- RGB button illumination for activity status
- Button functions include: preset selection, record mode activation, station lockout, raise, lower, macro activation, zone on/off control, timed-event override and wall open/close or toggle
- Fader functions include: zone or group intensity, color control, variable white control
- Custom button functionality programmable via LightDesigner configuration software
- Programmable electronic lockout levels
  - Allows for programming of individual lockout levels

**MECHANICAL**

- 1, 2, 4, 6 and 8 buttons or 4 buttons with rotary fader
- Gangable for custom applications
- Enclosed electronics assembly
- Cantilevered switch arrays with replaceable button caps
- No visible means of attachment
- Flush-mount in industry standard back box, RACO 690 or equivalent
- Surface-mount backboxes available from ETC upon request
- Constructed of injection-molded, ABS plastic in four RAL standard colors:
  - Cream (RAL 9001)
  - Grey (RAL 7001)
  - Black (RAL 9004)
  - White (RAL 9003)

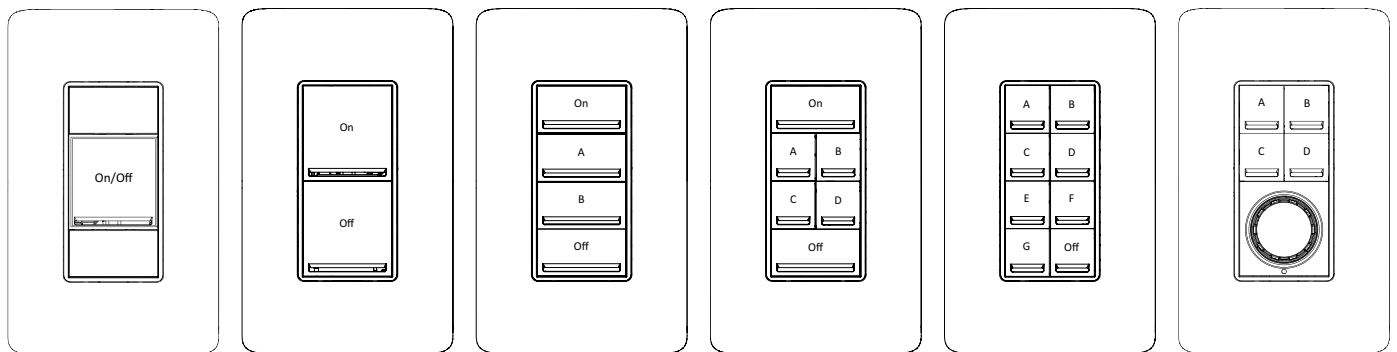
**ELECTRICAL**

- Connect via LinkConnect two-wire control network utilizing low-voltage Class 2 wiring
  - Topology-free and polarity-independent wiring over Belden 8471 or equivalent and one #14 ESD drain wire
  - Wiring may be bus, loop, home run or any combination of these
- All station terminations utilize removable connectors
- UL and cUL Listed, CE marked

**THERMAL**

- Ambient room temperature: 0°C to 40°C (32°F to 104°F)
- Ambient humidity: Maximum 90% non-condensing

**STANDARD LEGENDS**



PHYSICAL

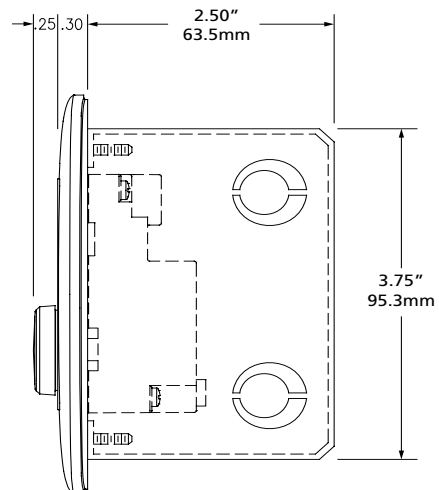
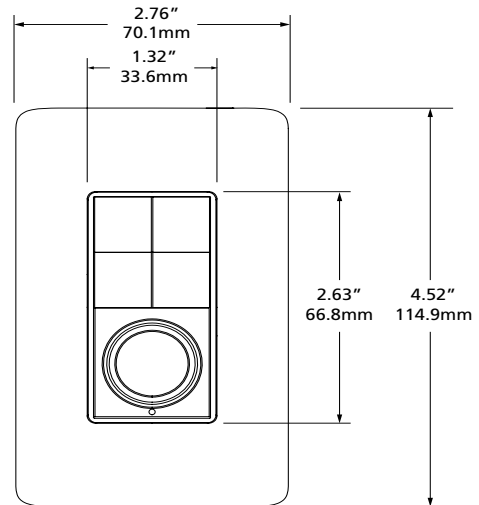
Station Dimensions\*

MODEL	HEIGHT		WIDTH		DEPTH	
	mm	in	mm	in	mm	in
PI100X	115	4.52	71	2.76	8	0.30
PI1104	115	4.52	71	2.76	14	0.55

Station Weights\*

MODEL	WEIGHT		SHIPPING WEIGHT	
	g	oz	g	oz
PI100X	105	3.68	213	7.49
PI1104	107	3.75	214	7.54

\*Weights and dimensions typical



Corporate Headquarters • Middleton, WI USA

Global Offices • London, UK • Rome, IT • Holzkirchen, DE • Paris, FR • Hong Kong  
Dubai, UAE • Singapore • New York, NY • Orlando, FL • Los Angeles, CA • Austin, TX

Copyright©2024 ETC. All Rights Reserved. All product information and specifications subject to change. Rev F 2024-04

\*Trademark and patent info: [etcconnect.com/ETC](http://etcconnect.com/ETC)

[etcconnect.com](http://etcconnect.com)