



Type(s)

Project

Date

Notes

GENERAL INFORMATION

ETC’s Unison DRd Series Rack Enclosures are the workhorses behind the scenes, supporting two processor options and a variety of dimming, switching and option modules. DRd Rack Enclosures are trusted for their reliability and versatility.

APPLICATIONS

- Houses of worship
- Hotels
- Convention centers
- Theatres
- Schools
- Restaurants

FEATURES

- All-On – clearly marked switch allows for all loads to be turned on to full, without the need for a control processor
- HighFault – protection from power spikes and surges with short-circuit current ratings from 22,000 amps
- Regulation – monitoring and adjustment of incoming line voltage with min and max scale voltages
- Bypass – emergency lighting control bypass input with load shedding
- Hold Last Look – dimming engine holds the last output during any loss of control
- QuickBoot – dimming engine boot time of less than four seconds
- HiRes Dimming – support for 16-bit DMX and over 65,000 steps of dimming

ORDERING INFORMATION

230 V CE DRd Rack Enclosures

PART NO.	DESCRIPTION
7183A1901	Six-module rack enclosure (12 circuits)
7183A1900	12-module rack enclosure (24 circuits)

DRd Options and Accessories

PART NO.	DESCRIPTION
7183A1169	DRd 0–10 V LVD Control Option
7183A1070	DRd DALI Control Option
7183A1004	DRd Floor-Mount Pedestal
7180A1008	Unison RideThru Option
7180A1003	Unison Battery Pack Option

DRd Control Processor Options

PART NO.	DESCRIPTION
7186A1201	Echo Architectural Control Processor
7180A1029	Paradigm Architectural Control Processor



SPECIFICATIONS

GENERAL

- DRd rack enclosures available in two sizes: DRd6N with support for six modules and up to 12 circuits and DRd12N with support for 12 modules and up to 24 circuits
- Full eight-year warranty

FUNCTIONAL

- High-density dimming for incandescent, fluorescent, neon, cold cathode, electronic and magnetic low-voltage transformer load types
- 16-bit DMX input
- Designed for reliable, continuous operation

MECHANICAL

- Welded 18-gauge formed steel construction
- Surface- or floor-stand mount
- Hinged, lockable full-height door with electrostatic air filter
- Fine-textured, scratch-resistant epoxy paint
- Integral low-voltage fan
- Modular control electronics

ELECTRICAL

- 230 V Three Phase, Four Wire + Ground
 - Voltage tolerance $\pm 10\%$
- Single-Pole, Neutral Disconnect or Residual Current Device (RCD) per dimmer
- Operating frequency: 50–60 Hz
- DRd6/DRd12 Rack Enclosure fault current protection:
 - 22,000 A Short Circuit Current Withstand
- Main lugs accept maximum 250 MCM wire
- Load terminals accept maximum 13.29 mm² wire

THERMAL

- Ambient room temperature: 0°–40° C
- Ambient humidity: 10–90% non-condensing

REGULATORY AND COMPLIANCE

- CE Compliant

ACCESSORIES AND OPTIONS

CONTROL PROCESSORS

- Echo Architectural Control Processor (E-ACP)
- Paradigm Architectural Control Processor (P-ACP)

STATION POWER OPTIONS

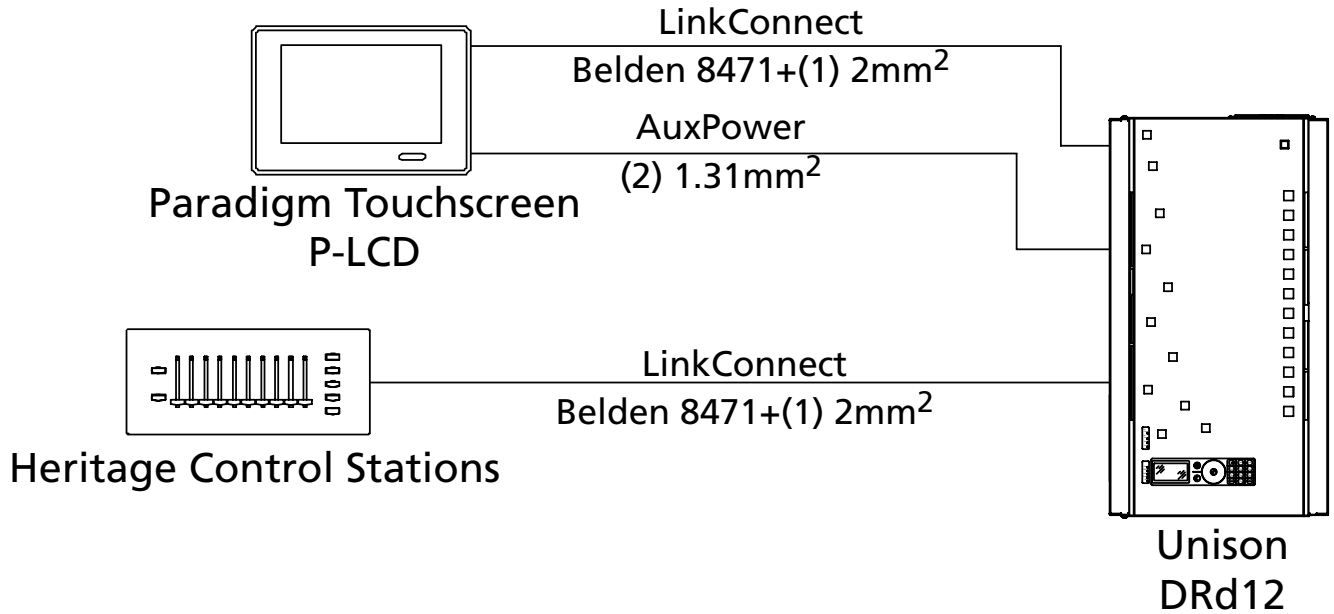
- Echo Station Power Module (E-SPM)
 - Provides EchoConnect power for up to 16 Echo control devices and 16 Echo output devices
 - Supports up to 500 m of station bus wiring
- Paradigm Station Power Module (P-SPM)
 - Provides LinkConnect power for up to 32 Unison stations
 - Provides 24 V auxiliary power for interface and touchscreen stations
 - Supports up to 500 m of station bus wiring

ACCESSORIES

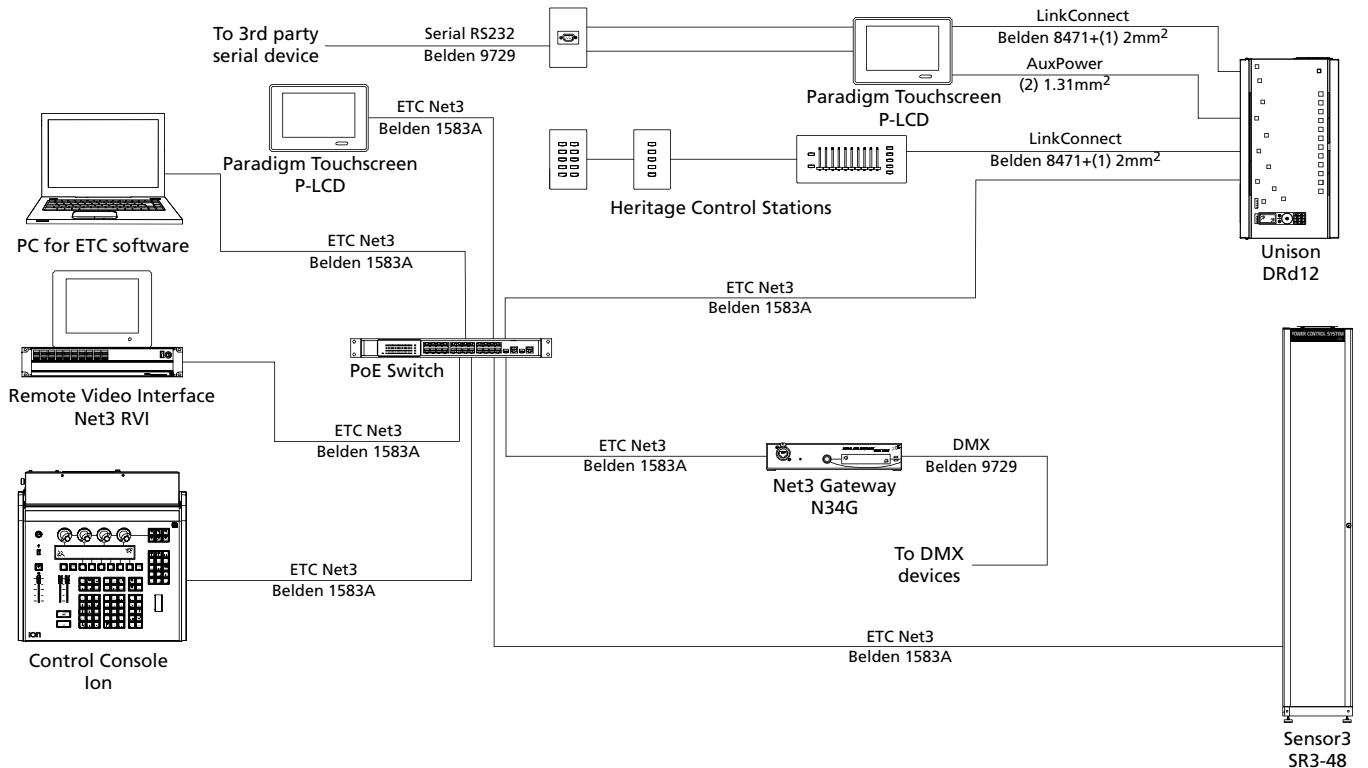
- Unison RideThru Option (URTO)
 - Short-term power backup of control electronics for at least 10 seconds
 - Automatically engages when power is lost
 - Recharges during normal power operation
- Unison Battery Pack Option (UBPO)
 - Long-term power backup of control electronics for at least 90 minutes
 - Automatically engages when power is lost
 - Recharges during normal power operation
- 0–10 V (four-wire) control option (DRd-LVD)*
 - 0–10 V (sink) driver and ballast control
 - Up to 24 outputs
 - 100 mA per channel
- DALI Ballast option (DRd-DALI)*
 - Support for 24 loops of DALI control in broadcast mode
 - Up to 64 ballasts per output
 - External DALI power supply required (by others)

*Either one DRd-DALI or one DRd-LVD option card may be used in each DRd enclosure.

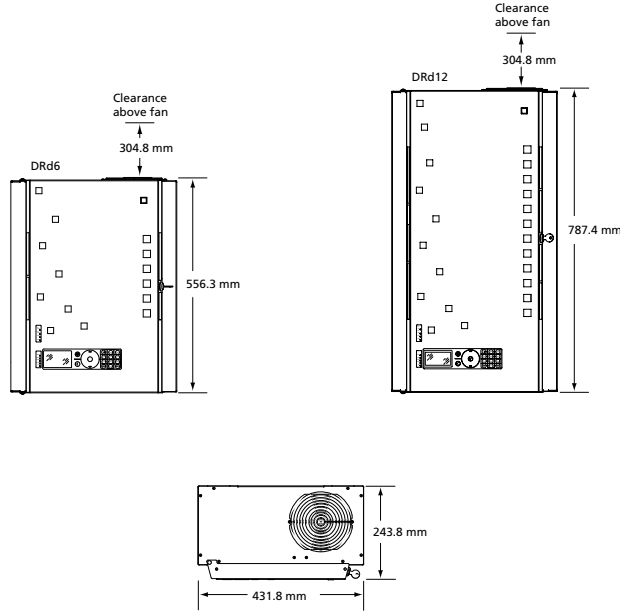
TYPICAL SYSTEM RISER – STANDALONE SYSTEM



TYPICAL SYSTEM RISER – INTEGRATED SYSTEM



PHYSICAL



DRd Dimensions*

PART NO.	MODEL	HEIGHT	WIDTH	DEPTH
		mm	mm	mm
7183A1901	DRd6N-12-230CE	557	432	244
7183A1900	DRd12N-24-230CE	787	432	244

DRd Weights*

PART NO.	MODEL	WEIGHT	SHIPPING WEIGHT
		kg	kg
7183A1901	DRd6N-12-230CE	17.15	19.05
7183A1900	DRd12N-24-230CE	23.13	24.95

*Weights and dimensions typical

DRd Sound Pressure Level (dBA)*

PART NO.	MODEL	LOW FAN SPEED	HIGH FAN SPEED
7183A1901	DRd6N-12-230CE	44 dbA	49 dbA
7183A1900	DRd12N-24-230CE	44 dbA	49 dbA

*dBA values for each DRd enclosure measured at one meter with an ambient noise level of 36.5 dbA.



Corporate Headquarters • Middleton, WI USA
 Global Offices • London, UK • Rome, IT • Holzkirchen, DE • Paris, FR • Hong Kong
 Dubai, UAE • Singapore • New York, NY • Orlando, FL • Los Angeles, CA • Austin, TX
 ©2024 ETC. All Rights Reserved. All product information and specifications subject to change. Rev E 2024-03
 *Trademark and patent info: etconnect.com/IP • Third-party license agreement info: etconnect.com/licenses